

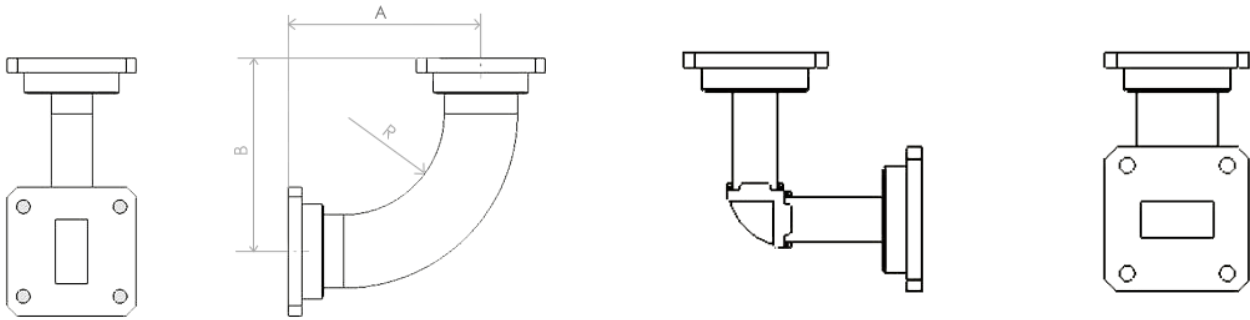


Model Number:  
**WGXX-197157-X**

RF Components

# Ku-Band Waveguide Bends

10.00 - 15.00 GHz



Swept Bend

Mitred Bend

Specification		
Bend Type	Swept	Mitred
Waveguide Size		WG17 / WR75 / R120
Bend Angle	90 degrees	
Plane	E or H	
Frequency	10-15 GHz	
VSWR	1.05:1	1.1:1
Power (max)	175 KW	
Flanges Available (abbreviation)	UG 343B/U (UG) / UG3 44/U (UF) CPR 137G (CG) / CPR 137F (CF) PDR 70 (PD) / UDR 70 (UD) UAR 70 (UA) / PAR 70 (PA)	
Material	Copper WG, Brass Flanges	
Finish	Black Paint	
Leg Lengths	75 mm	
Radius	30mm	

Model Numbers						
Example: WGMKX-197157-E-UBPB						
WG	M	KX	197157	E	UB	PB
Waveguide	S - Swept M - Mitred	Frequency band	Model Number	Plane	Flange 1	Flange 2

## Broadcast



## Marine Oil & Gas



## SNG & VSAT



## Satellite Teleport

